



Benner-Nawman, Inc.

3450 Sabin Brown Road • Wickenburg, AZ 85390

(800) 992-3833 • (928) 684-2813 • www.bnproducts.com

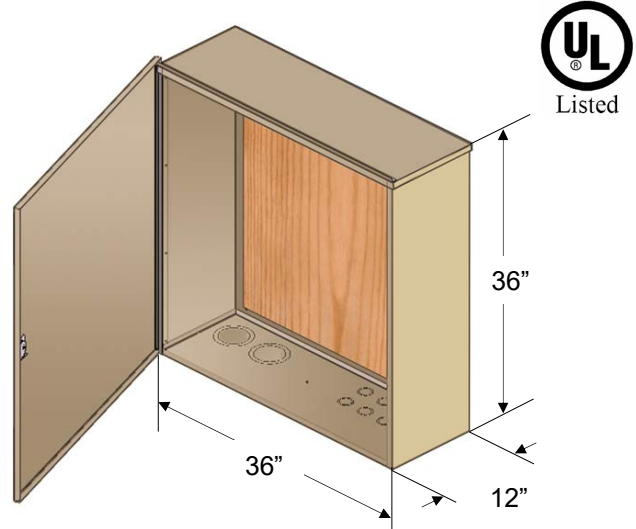
Specification Sheet

Part #
363612W-UL

Exterior Dimensions (incl. door):
36-1/2" Wide x 37-1/8" Tall x 12-1/8" Deep

Features & Info:

- Includes 3/4" plywood backboard & 4-position, #4-14 wire ground bar mounted inside
- Includes 2 knockouts 3 1/2" - 4 1/2" (for 3" - 4" conduit) & 10 knockouts 1 3/8" - 1 3/4" (for 1" - 1 1/2" conduit) See Chart Below
- Made of 14-gauge zinc-coated steel w/ a desert tan powder coat finish
- Reinforced hinged door with 7/16" recessed hex latch
- "COMMUNICATIONS" embossed on the cover
- UL-Listed (UL1863), designed to NEMA 3R
- Includes 2 J-hooks for mounting
- Box weight: 129 lbs.



Knockout Pattern

