



**BN Products-USA™**

A DIVISION OF BENNER-NAWMAN, INC.

[WWW.BNPRODUCTS.COM](http://WWW.BNPRODUCTS.COM)

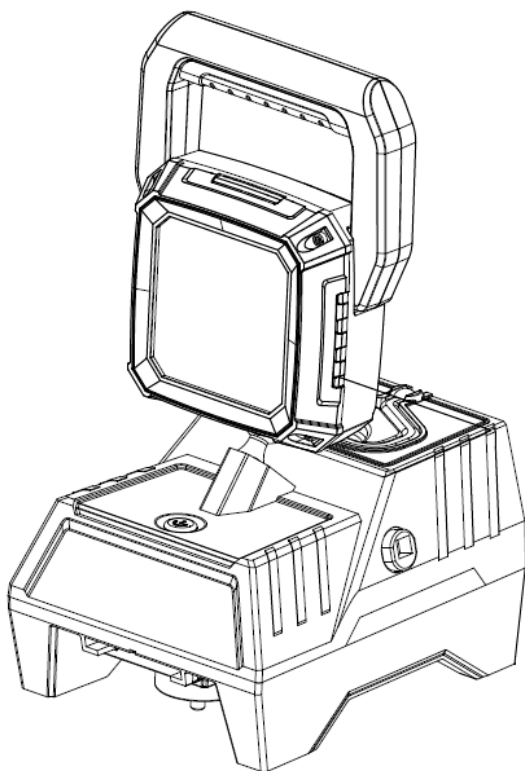
OPERATOR MANUAL

CUSTOMER SERVICE:

(800) 992-3833

# **BNLB-6905**

## **LED WORK LIGHT**



Before using this product, read this Operator Manual for instructions and safety practices for the use of this LED Work Light product, including the Lithium-Ion Battery and Battery Charger.

**BN Products-USA™**

3450 N. Sabin Brown Road  
Wickenburg, AZ 85390  
Fax: (928) 684-7041

**Toll-Free: (800) 992-3833**

**[www.BNProducts.com](http://www.BNProducts.com)**



**BN Products-USA™**

A DIVISION OF BENNER-NAWMAN, INC.

[www.bnproducts.com](http://www.bnproducts.com)

OPERATOR MANUAL

CUSTOMER SERVICE:

(800) 992-3833

*Thank you for trusting the BN Products-USA™ brand name.  
We work hard to provide you with high-quality, affordable products,  
and providing each of our customers with superior service.*



## BNLB-6905 LED WORK LIGHT

### TABLE OF CONTENTS

1.	GENERAL SAFETY PRECAUTIONS	3
2.	CHARGING AND USE OF LITHIUM-ION BATTERY	3
3.	PRODUCT LABELS - DEFINITIONS	4
4.	INTENDED USE OF PRODUCT	4
5.	PACKAGE CONTENTS	5
6.	TECHNICAL DATA / SPECIFICATIONS	6
7.	PREPARATION FOR USE	7
8.	OPERATING INSTRUCTIONS	10
9.	BASIC MAINTENANCE	11
10.	RECYCLING & DISPOSAL	11
11.	TROUBLESHOOTING	11
12.	ONE-YEAR LIMITED MANUFACTURER WARRANTY	12

**[www.BNProducts.com](http://www.BNProducts.com)**



**BN Products-USA™**

A DIVISION OF BENNER-NAWMAN, INC.

[WWW.BNPRODUCTS.COM](http://WWW.BNPRODUCTS.COM)

OPERATOR MANUAL

CUSTOMER SERVICE:

(800) 992-3833

## 1. GENERAL SAFETY PRECAUTIONS



This product should not be used by young children, or by persons with limited physical, sensory, or mental abilities, or with insufficient supervision by a responsible adult.

Cleaning and maintenance should be performed by a responsible adult. This product is not a toy and not intended for play. Bright lighting may be harmful to the eyes and/or impair vision if misused.

– Never direct lighting toward the eyes. LED lights may cause long-term or temporary blindness or images of the light source, especially under low light conditions.

– Do not point the lights at the glass, mirrors, or other similar reflective surfaces. Lights can reflect into the eyes of yourself or others.  
– Always turn off the spotlight if it is not used.

– When not using the light, remove the battery from the light housing for storage.

– Only clean the light housing using a damp fabric cloth. Only use water to dampen a cleaning cloth.

– Never use detergents or solvents to clean the light, which may cause damage to the housing or electronic components of the product.

– Due to the risk of electric shock, NEVER immerse the light in water or other liquids.

– Always store the light in cool, dry places. Keep out of the reach of children.

– Flammable materials should never be applied to the product and should not be stored near where the lights are in-use.

– Contact BN Products-USA™ Customer Service for warranty or repair. Do not attempt repairs on your own.

## 2. CHARGING AND USE OF LITHIUM-ION BATTERY

This product should not be used in extreme temperatures. The operating temperature of the light and its battery is between 14°F (-20 °C) and 104°F (40°C).

Fully charge the battery using the included battery charger prior to using the battery to power the light. Lithium batteries are shipped at a state of charge that does not exceed 30% of their rated capacity and will NOT be fully charged at the time of purchase or shipping. Do not use a battery that is not

designed for use with this product under any circumstance.

The battery will turn off automatically when the charge level reaches a minimum threshold. When this occurs, the battery must be recharged or replaced with a charged battery. Do not press the power button once a battery has powered-down, as this could cause damage to battery components. Batteries that fail after being charged should be replaced and properly disposed of.

**BN Products-USA™**

A DIVISION OF BENNER-NAWMAN, INC.











WWW.BNPRODUCTS.COM

OPERATOR MANUAL

CUSTOMER SERVICE:

(800) 992-3833

### 3. PRODUCT LABELS - DEFINITIONS

	Warning or Caution (Risk to user; explained with additional information)		Indicates degree of impact protection
	See instructions from operator manual		Indicates electrical current protection class
	Indicates Direct Current (DC)		Indicates recycling requirement related to product disposal
	Indicates Lithium-Ion battery type in-use		Indicates requirement for special disposal and necessity to separate this product from ordinary waste
	Indicates degree of protection against exposure to dust and/or moisture		Indicates product has met valid certification corresponding to "EU" requirements and standards

### 4. INTENDED USE OF PRODUCT

The BNLB-6905 is a rechargeable LED floodlight which uses a 24V Lithium-Ion battery (included). The compatible 24V Li-Ion battery is charged using its companion battery charger (included in BNLB-6905 kit).

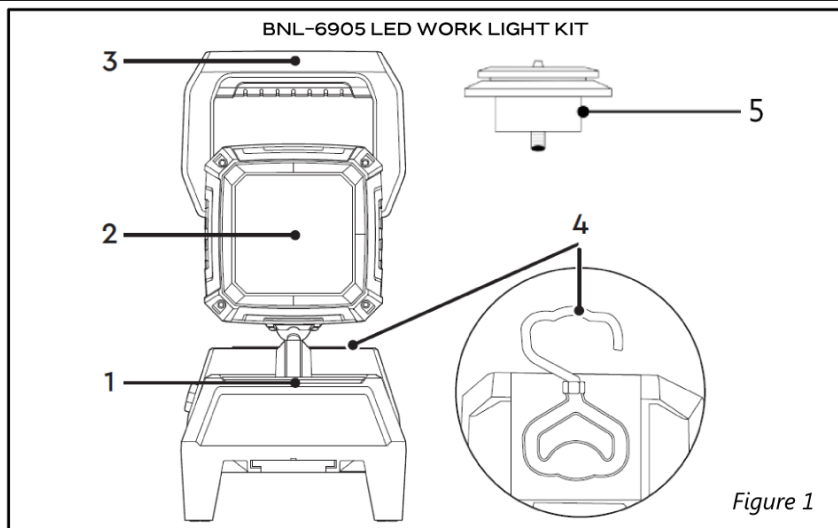
THIS PRODUCT DOES NOT INCLUDE A 120V AC POWER SUPPLY OR POWER CORD.

The battery may only be charged using the accompanying charger.

This product is designed for construction sites and shop areas for indoor/outdoor use, and may be used safely for recreational activities such as camping, photography, and other outdoor activities requiring the use of a small-area floodlight.

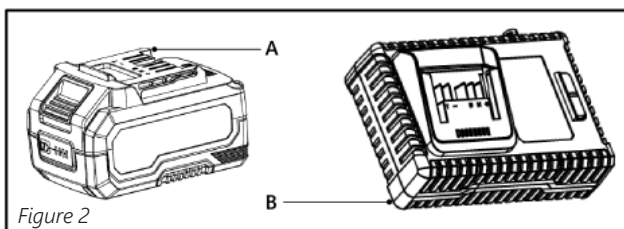


**5. PACKAGE CONTENTS**



1	Power Switch - On/Off and Change Modes
2	LED Lamps
3	Carrying Handle
4	Hook (Suspension/Hanging)
5	Tripod Adapter

(Included in BNLB-6905 Work Light Kit (with Battery & Charger) Only)



<b>A</b>	24V 4.0Ah Battery (BNCE-24VLI-4C)
<b>B</b>	120V AC Battery Charger (BNCE-24VCHGR-120C)

*\*BN Products-USA, LLC. continually strives to improve product quality and appearance at all times, and reserves the right to introduce modifications in design, equipment, operating manual and its contents, or related products and materials at any time, with or without notice.*

**BN Products-USA™**

A DIVISION OF BENNER-NAWMAN, INC.

WWW.BNPRODUCTS.COM

OPERATOR MANUAL

CUSTOMER SERVICE:

(800) 992-3833

## 6. TECHNICAL DATA / SPECIFICATIONS

Product ID	BNL-6905 BNLB-6905 (with Battery/Charger Included)
Description	42 SMD LED Single-Head Adjustable Work Light
Power	Battery: 24V / 15 Watts
Battery Voltage	Nominal (Rated): 21.6V Peak (Maximum): 24V
Net Lumens	(Battery) 1700
Diffusion Angle	120° Single adjustable light pod
Color Rendering	CRI Ra>80
Light Color	Cool White (6500K)
Protection Classes	IP54 and IK-07
Operating Temperature	14°F to 104°F / -10°C to 40°C
Dimensions (Expanded)	5-1/2" x 11-1/2" x 8" 14.0 x 29.2 x 20.3 cm
Weight (with Battery)	3.7 lbs. / 1.67 kg
Replacement Battery Model #	BNCE-24VLI-4C
Replacement Battery Charger Model #	BNCE-24VCHGR-120C



## 7. PREPARATION FOR USE

- Unpack the Work Light package contents, and inspect all parts and contents for damage or missing components. Contact Customer Service if any parts are missing or damaged.
- Ensure that no condensation or moisture is present on or inside the product. Allow the product and all components to completely dry before use.
- This product may only be used with the 24V battery intended for use with this product.
- Refer to the following instructions for use with the rechargeable battery.
- This product does NOT include a 120V AC power supply or cord.

### BATTERY CHARGING

- The battery ships with only a very small charge. It is necessary to charge the battery fully before first-time use.
- Plug the battery charger into a proper AC voltage source. The charging light will start blinking green.
- Insert the battery cartridge into charger.
- When the battery cartridge is inserted, the red charging light will light up to indicate that the battery is actively charging.
- When the battery is charged, the charging light will change from red to green.
- After charging, remove the battery cartridge from charger, and unplug the charger. Store the charger in a cool, dry place away from moisture.

### BATTERY CHARGE INDICATORS

- Use the table on Page 9 (Figure 5) to determine the battery charging status while inserted into the charger.
- If the battery is not charging (Red/ Green lights flashing), and the battery unit is within operating temperature (cf. Figure 5), check the connection of the power cord to the outlet, and make sure that the terminals and connection to the battery are clean.
- If necessary, contact Customer Service if basic troubleshooting fails to correct problems charging the battery.



### **IMPORTANT!**

The Battery Charger included in this product is intended only for charging the accompanying Battery product.

The Charger should never be used to charge battery products or devices from another manufacturer.

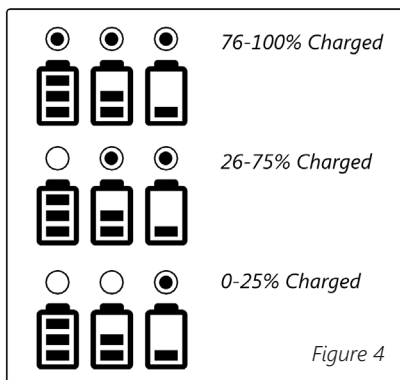
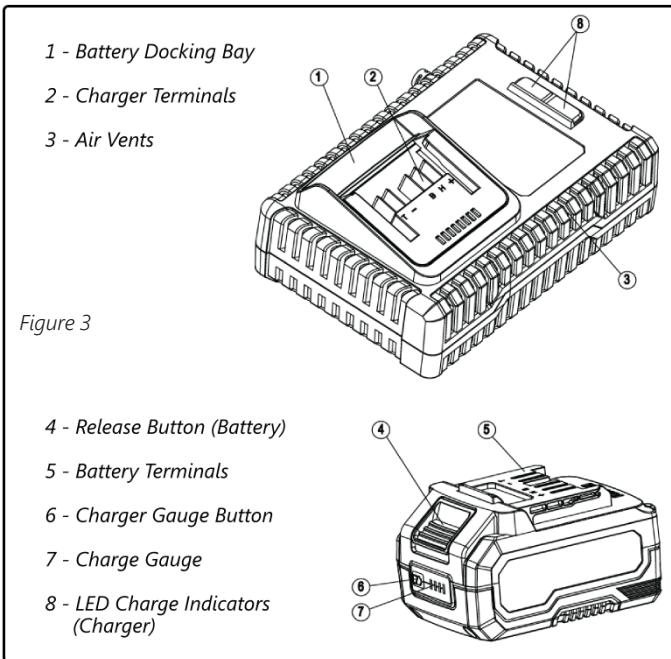
Do not attempt to charge a battery that is hot to the touch from being exposed to the sun or from use for an extended period. Allow time for the battery to cool prior to charging.

If a battery has been exposed to very cold or freezing temperatures, allow for the battery to warm to within operating range and is free of condensation or moisture prior to charging.



BATTERY CHARGE INDICATORS (Continued)

- The battery is equipped with the ability to indicate its current charge level. Press the Charge Gauge Button on the front of the battery housing (hold for 1 second; see Figure 3, #6).
- The LED gauge to the right of the button will display the current charge level of the battery.







Indicators		Meaning	
Standby	▶ Green LED Flashing	▶ Battery Charger is ready	
Charging	▶ Red LED - On	▶ Battery is actively charging	
Finish	▶ Green LED - On	▶ Battery is fully charged	
Battery High Temperature	▶ Red AND Green LED - flashing continually	▶ Battery temperature is outside of operating range (32°F - 113°F / 0°C - 40°C). Charge will automatically start when temperature reaches an acceptable level.	
Battery low voltage		▶ Battery cannot be charged due to low voltage condition, damage to battery, or terminals are dirty (preventing terminal connection)	

Figure 5

### INSTALLATION AND REMOVAL OF BATTERY

- Make sure that the battery guides are free of debris or packaging materials before attempting to install the battery.
- To install the battery into the light, align the tabs on the battery with the guides on the bottom of the light (Figure 6), and slide the the battery unit into place in the direction of arrow B (Figure 6) until the battery clicks into place.
- Do NOT apply excessive force to insert the battery into the light; if the battery does not freely slide into place, check the battery enclosure for any obstruction.

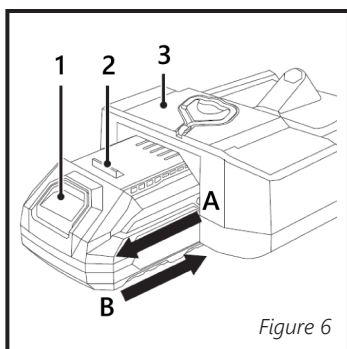
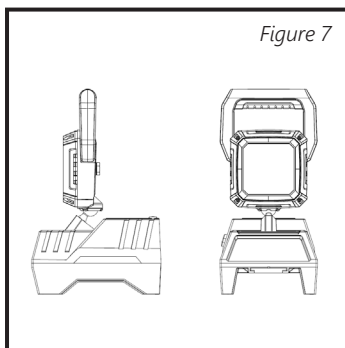


Figure 6

### ADJUST THE DESIRED LIGHTING ANGLE

- The work light includes a single lighting pod; this may ship in a folded position. Expand the pod to an open position (Figure 7).



- Use the rotating base to position the light in the desired direction. Always be careful not to aim the lights directly into your eyes or the eyes of bystanders.



#### LED LIGHTING - WARNING

LED lights are extremely bright and may cause temporary or permanent harm by looking directly at or into the LED light source.



## 8. OPERATING INSTRUCTIONS



### OPERATING TEMPERATURE WARNING

Only operate this LED Work Light within the operating temperature range of 14°F to 104°F (-10°C to 40°C). Using this product outside of the acceptable range may cause permanent damage to the light product and/or the Li-Ion battery, and may cause the risk of hazardous conditions. Batteries and chargers should always be stored in a cool, dry place out of the reach of children when not in-use.

### POWER BUTTON (SWITCH)

- The BNL-6905 has a single power switch that sets the light to turn ON, OFF, and switch between light levels.
- With the battery inserted and the lamp aimed in a safe direction, press the power switch (Figure 8) one time. The light will turn on; the lamp will illuminate at the lowest brightness level.

### BRIGHTNESS ADJUSTMENT

- There are four (4) lighting levels programmed into the work light.
- When the light is first turned ON, the brightness level will be at the lowest light level (25%).
- Press the power button once to increase to 50%, two times to increase to 75%, and three times to set the lamp at the maximum brightness level (100%).

### POWER SWITCH MODES

(From OFF position)

- 1 Click - Light ON at 25% Brightness
- 2 Clicks - Light ON at 50% Brightness
- 3 Clicks - Light ON at 75% Brightness
- 4 Clicks - Light ON at 100% Brightness
- 5 Clicks - Light OFF

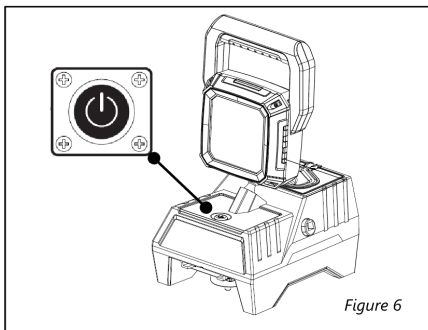


Figure 6

### ACCESSORIES INCLUDED

#### SUSPENSION HOOK

This package includes a hook for hanging the light from a suitable beam or accessory.  
(Figure 1, #4)

#### TRIPOD ADAPTER

A tripod adapter is included (1/4" X 20 TPI) for mounting on a standard tripod.  
(Figure 1, #5) *(Tripod sold separately)*



### BATTERY CONSUMPTION

Remember that brightness level used may affect battery life per charge.

Plan ahead to make sure that the Li-Ion battery is full charged before use, and keep the AC charger with the light.



**9. BASIC MAINTENANCE**

CLEANING

- When necessary, wipe the housing of the work light clean with a soft cloth. Do NOT to use solvents such as alcohol, detergents, or petroleum solvents (i.e. gasoline). Cleaning solutions will damage the plastic parts of the light.
- Always protect the light against exposure to moisture, dirt, and the risk of impact damage.

MAINTENANCE AND REPAIR

- The work light product does not contain user-serviceable parts. If repairs are necessary, please contact BN Products-USA™ Customer Service for assistance with repairs or if you believe the product is defective in any way.

**10. RECYCLING & DISPOSAL**



**REMEMBER TO RECYCLE!**

This product should not be disposed with household or general waste. When the light kit is old or no longer put to use, please recycle in accordance with your local recycling policies and/or proper disposal practices.

**11. TROUBLESHOOTING**

The table below includes common user scenarios and solutions while operating the LED Work Light. If you

have a problem with the product that you are unable to resolve, please contact Customer Service for further assistance.



**COMMON USER SCENARIOS**

<b>Problem</b>	<b>Possible Cause</b>	<b>Recommended Action</b>
<i>Device does not turn ON with Battery connected to the lamp</i>	Battery is not charged adequately	Charge Battery
	Damage to Battery	Inspect battery for signs of damage or moisture; Replace Battery
	Power switch or circuit defective or damaged	Contact Customer Service
	Battery not fully inserted in receptacle	Install Battery into socket until it "clicks" into place



**BN Products-USA™**

A DIVISION OF BENNER-NAWMAN, INC.

[www.bnproducts.com](http://www.bnproducts.com)

**OPERATOR MANUAL**

**CUSTOMER SERVICE:**

**(800) 992-3833**

<b>Problem</b>	<b>Possible Cause</b>	<b>Recommended Action</b>
<i>Battery not charging; Does not charge fully; Rapid discharge of Battery power</i>	Battery not fully inserted into charger	Red LED may be solid and Green LED may be flashing; Remove Battery from Charger and re-insert fully along guides
	Charger Power Cord not connected to live outlet	Ensure power to outlet is live; ensure Charger is plugged in securely
	Contacts dirty on Charger or Battery	Inspect for dirt; If dirty, unplug Charger and remove battery; clean with dry rag or soft brush
	Battery damaged or defective	Replace Battery; Contact Customer Service
	Charger damaged or defective	Replace Charger; Contact Customer Service
	Battery capacity reduced due to age/use	Replace Battery; Contact Customer Service if necessary
<i>Battery discharges rapidly or is "dead" after minimal use after fully charging</i>	Battery life has expired	Replace Battery; Contact Customer Service if necessary

## 12. ONE-YEAR LIMITED MANUFACTURER WARRANTY

BN Products-USA™ warrants our tools to the original purchaser to be free of defects in materials and workmanship under everyday and appropriate use and service for one year. Use the applicable QR code or web URL below to access our full One-Year Warranty policy and procedure, or to complete a Warranty Service Request for this product.

If you are requesting Warranty Service, it is recommended that you have your original purchase order available to upload or scan using a mobile device. Questions with regard to our One-Year Limited Manufacturer Warranty may be directed to **BN Products-USA™ Customer Service at (800) 992-3833.**

**ONE-YEAR LIMITED WARRANTY**

<https://www.bnproducts.com/warranty-1/>



**REQUEST WARRANTY SERVICE ONLINE**

<https://www.bnproducts.com/warranty-request/>





SCAN

