



BN Products-USA™

A DIVISION OF BENNER-NAWMAN, INC.

WWW.BNPRODUCTS.COM

OPERATOR MANUAL

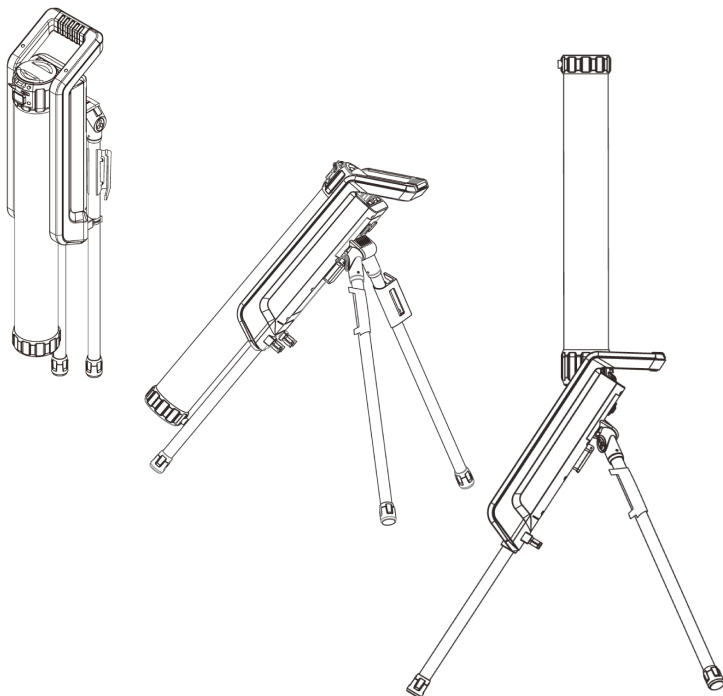
CUSTOMER SERVICE:

(800) 992-3833

BNLB-24360

24V BATTERY / 120V AC HYBRID

360° LED WORK LIGHT



Before using this product, read this Operator Manual for instructions and safety practices for the use of this LED Work Light product, including the Lithium-Ion Battery and Battery Charger.

BN Products-USA™

3450 N. Sabin Brown Road

Wickenburg, AZ 85390

Fax: (928) 684-7041

Toll-Free: (800) 992-3833

www.BNProducts.com



BN Products-USA™

A DIVISION OF BENNER-NAWMAN, INC.

WWW.BNPRODUCTS.COM

OPERATOR MANUAL

CUSTOMER SERVICE:

(800) 992-3833

*Thank you for trusting the BN Products-USA™ brand name.
We work hard to provide you with high-quality, affordable products,
and providing each of our customers with superior service.*



BNLB-24360 / HYBRID 360° LED WORK LIGHT

TABLE OF CONTENTS

1.	GENERAL SAFETY PRECAUTIONS	3
2.	CHARGING AND USE OF LITHIUM-ION BATTERY	3
3.	PRODUCT LABELS - DEFINITIONS	4
4.	INTENDED USE OF PRODUCT	4
5.	PACKAGE CONTENTS	5
6.	TECHNICAL DATA / SPECIFICATIONS	6
7.	PREPARATION FOR USE	7
8.	OPERATING INSTRUCTIONS	10
9.	BASIC MAINTENANCE	11
10.	RECYCLING & DISPOSAL	11
11.	TROUBLESHOOTING	11
12.	ONE-YEAR LIMITED MANUFACTURER WARRANTY	12

www.BNProducts.com



BN Products-USA™

A DIVISION OF BENNER-NAWMAN, INC.

WWW.BNPRODUCTS.COM

OPERATOR MANUAL

CUSTOMER SERVICE:

(800) 992-3833

1. GENERAL SAFETY PRECAUTIONS



This product should not be used by young children, or by persons with limited physical, sensory, or mental abilities, or with insufficient supervision by a responsible adult.

Cleaning and maintenance should be performed by a responsible adult. This product is not a toy and not intended for play. Bright lighting may be harmful to the eyes and/or impair vision if misused.

– Never direct lighting toward the eyes. LED lights may cause long-term or temporary blindness or images of the light source, especially under low light conditions.

– Do not point the lights at the glass, mirrors, or other similar reflective surfaces. Lights can reflect into the eyes of yourself or others.
– Always turn off the spotlight if it is not used.

– When not using the light, remove the battery from the light housing for storage.

– Only clean the light housing using a damp fabric cloth. Only use water to dampen a cleaning cloth.

– Never use detergents or solvents to clean the light, which may cause damage to the housing or electronic components of the product.

– Due to the risk of electric shock, NEVER immerse the light in water or other liquids.

– Always store the light in cool, dry places. Keep out of the reach of children.

– Flammable materials should never be applied to the product and should not be stored near where the lights are in-use.

– Contact BN Products-USA™ Customer Service for warranty or repair. Do not attempt repairs on your own.

2. CHARGING AND USE OF LITHIUM-ION BATTERY

This product should not be used in extreme temperatures. The operating temperature of the light and its battery is between 14°F (-20 °C) and 104°F (40°C).

Fully charge the battery using the included battery charger prior to using the battery to power the light. Lithium batteries are shipped at a state of charge that does not exceed 30% of their rated capacity and will NOT be fully charged at the time of purchase or shipping. Do not use a battery that is not

designed for use with this product under any circumstance.

The battery will turn off automatically when the charge level reaches a minimum threshold. When this occurs, the battery must be recharged or replaced with a charged battery. Do not press the power button once a battery has powered-down, as this could cause damage to battery components. Batteries that fail after being charged should be replaced and properly disposed of.



BN Products-USA™

A DIVISION OF BENNER-NAWMAN, INC.











WWW.BNPRODUCTS.COM

OPERATOR MANUAL

CUSTOMER SERVICE:

(800) 992-3833

3. PRODUCT LABELS - DEFINITIONS

	Warning or Caution (Risk to user; explained with additional information)		Indicates degree of impact protection
	See instructions from operator manual		Indicates electrical current protection class
	Indicates Direct Current (DC)		Indicates recycling requirement related to product disposal
	Indicates Lithium-Ion battery type in-use		Indicates requirement for special disposal and necessity to separate this product from ordinary waste
	Indicates degree of protection against exposure to dust and/or moisture		Indicates product has met valid certification corresponding to "EU" requirements and standards

4. INTENDED USE OF PRODUCT

The BNLB-24360 is a rechargeable LED floodlight which uses a 24V Lithium-Ion battery (included), and a 120V AC/60 Hz auxiliary power supply. The compatible 24V Li-Ion battery is charged using its companion battery charger (included in the BNLB-24360 product kit).

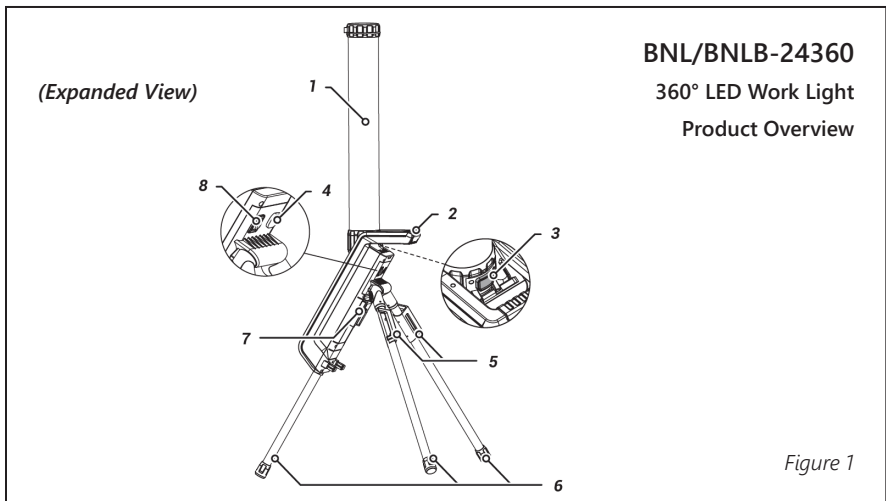
OPERATING THIS LIGHT UNDER 120V AC POWER WILL NOT CHARGE THE 24V LITHIUM-ION BATTERY.

The battery may only be charged using the accompanying charger.

This product is designed for construction sites and shop areas for indoor/outdoor use, and may be used safely for recreational activities such as camping, photography, and other outdoor activities requiring the use of a small-area floodlight.

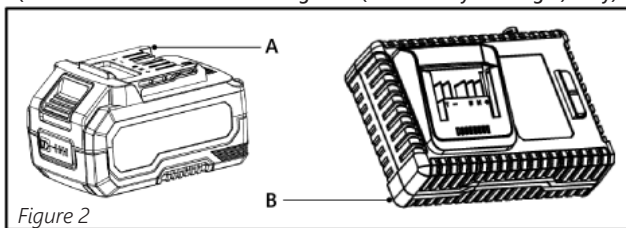


5. PACKAGE CONTENTS



1	Retractable LED lamp
2	Carrying Handle
3	Lamp Position Lock Button
4	Lamp Brightness Control Switch (Battery Power Only)
5	Power Cord Holder
6	Folding Tripod
7	Battery Housing
8	3-Position Power Switch / Battery-AC Toggle

(Included in BNLB-24360 Work Light Kit (with Battery & Charger) Only)



A	24V 4.0Ah Battery (BNCE-24VLI-4C)
B	120V AC Battery Charger (BNCE-24VCHGR-120C)

**BN Products-USA, LLC. reserves the right to introduce modifications in design, equipment, operating manual and its contents, or related products and materials at any time, with or without notice.*

**BN Products-USA™**

A DIVISION OF BENNER-NAWMAN, INC.

WWW.BNPRODUCTS.COM

OPERATOR MANUAL

CUSTOMER SERVICE:

(800) 992-3833

6. TECHNICAL DATA / SPECIFICATIONS

Product ID	BNL-24360 (Light Only) BNLB-24360 (with Battery/Charger Included)
Description	360° Hybrid 24V DC/120V AC LED Work Light
Power	Battery: 24V - 30 Watts AC: 120V - 50 Watts
Battery Voltage	Nominal (Rated): 21.6V Peak (Maximum): 24V
Net Lumens	(Battery) 3300 (Maximum) (AC) 5000
Brightness Settings	Four (4) - Battery Mode Only (25% - 50% - 75% - 100%)
Color Rendering	CRI Ra > 80
Light Color	Cool White (6500K)
Protection Classes	IP54 and IK-07
Operating Temperature	14°F to 104°F / -10°C to 40°C
Dimensions (Expanded)	31.6" x 25.0" x 53.2" (80.5 x 63.6 x 135.1 cm)
Weight (with Battery)	8.9 lbs. / 4.06 kg
Replacement Battery Model #	BNCE-24VLI-4C
Replacement Battery Charger Model #	BNCE-24VCHGR-120C
Power Cord Length	78.7" (200 cm)



7. PREPARATION FOR USE

- Unpack the Work Light package contents, and inspect all parts and contents for damage or missing components. Contact Customer Service if any parts are missing or damaged.
- Ensure that no condensation or moisture is present on or inside the product. Allow the product and all components to completely dry before use.
- This product may only be used with the 24V battery intended for use with this product.
- Refer to the following instructions for use with the rechargeable battery.
- This product includes a 120V AC auxiliary power supply and cord.

BATTERY CHARGING

- The battery ships with only a very small charge. It is necessary to charge the battery fully before first-time use.
- Plug the battery charger into a proper AC voltage source. The charging light will start blinking green.
- Insert the battery cartridge into charger.
- When the battery cartridge is inserted, the red charging light will light up to indicate that the battery is actively charging.
- When the battery is charged, the charging light will change from red to green.
- After charging, remove the battery cartridge from charger, and unplug the charger. Store the charger in a cool, dry place away from moisture.

BATTERY CHARGE INDICATORS

- Use the table on Page 9 (Figure 5) to determine the battery charging status while inserted into the charger.
- If the battery is not charging (Red/ Green lights flashing), and the battery unit is within operating temperature (cf. Figure 5), check the connection of the power cord to the outlet, and make sure that the terminals and connection to the battery are clean.
- If necessary, contact Customer Service if basic troubleshooting fails to correct problems charging the battery.



IMPORTANT!

The Battery Charger included in this product is intended only for charging the accompanying Battery product.

The Charger should never be used to charge battery products or devices from another manufacturer.

Do not attempt to charge a battery that is hot to the touch from being exposed to the sun or from use for an extended period. Allow time for the battery to cool prior to charging.

If a battery has been exposed to very cold or freezing temperatures, allow for the battery to warm to within operating range and is free of condensation or moisture prior to charging.



BATTERY CHARGE INDICATORS (Continued)

- The battery is equipped with the ability to indicate its current charge level. Press the Charge Gauge Button on the front of the battery housing (hold for 1 second; see Figure 3, #6).
- The LED gauge to the right of the button will display the current charge level of the battery.

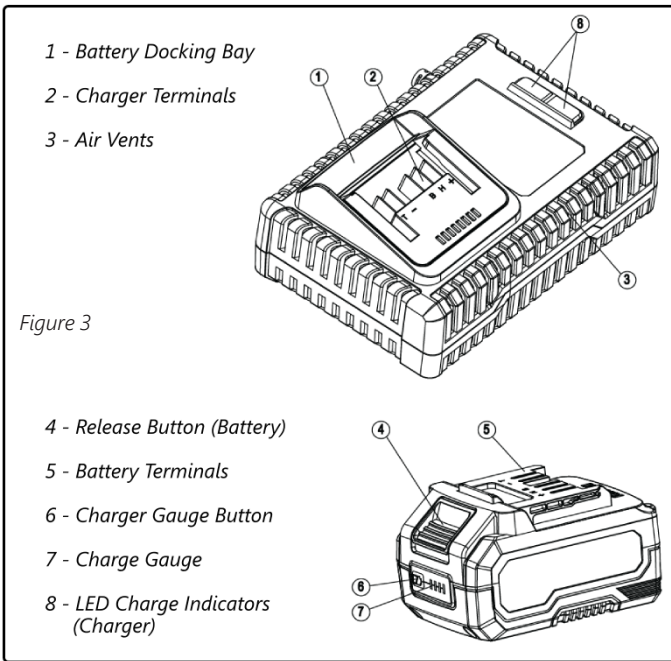


Figure 3

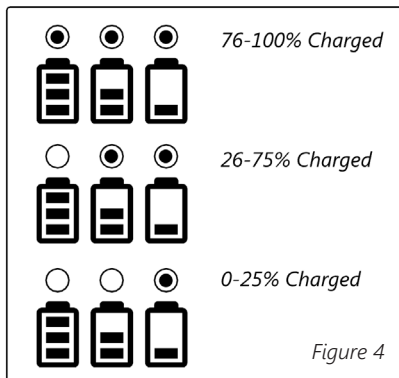


Figure 4



Indicators		Meaning	
Standby		▶ Green LED Flashing	▶ Battery Charger is ready
Charging		▶ Red LED - On	▶ Battery is actively charging
Finish		▶ Green LED - On	▶ Battery is fully charged
Battery High Temperature Battery low voltage		▶ Red AND Green LED - flashing continually	▶ Battery temperature is outside of operating range (32°F - 113°F / 0°C - 40°C). Charge will automatically start when temperature reaches an acceptable level.
			▶ Battery cannot be charged due to low voltage condition, damage to battery, or terminals are dirty (preventing terminal connection)

Figure 5

INSTALLATION AND REMOVAL OF BATTERY

- Expand the tripod of the LED light to an upright position.
- Make sure that the battery guides are free of debris or packaging materials before attempting to install the battery.
- Install the battery into the light on the underside of the lamp housing (See Figure 6 to refer to the location of the battery socket):
 - Align the tabs on the battery with the guides on the bottom of the light (Figure 6), and slide the the battery unit into place in the direction of Arrow B (Figure 7) until the battery clicks into place. (Note: You will be inserting the battery upward toward the handle.
- Do NOT apply excessive force to insert the battery into the light; if the battery does not freely slide into place, check the battery socket for any obstruction.
- Make sure the Battery latch (Figure 7) has "clicked" in to place.
- To remove the battery from the unit, press the Battery Release and remove the battery in the direction of Arrow A in Figure 7.

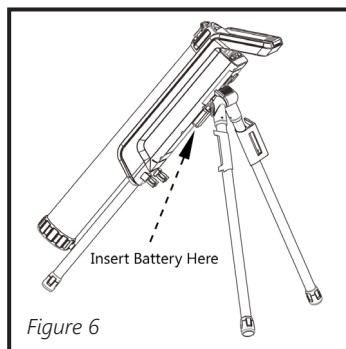


Figure 6

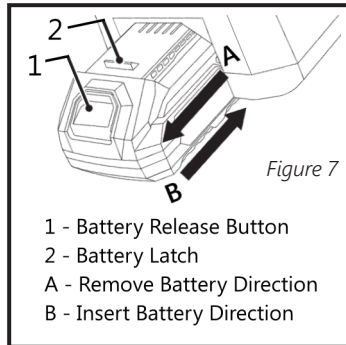


Figure 7

- 1 - Battery Release Button
- 2 - Battery Latch
- A - Remove Battery Direction
- B - Insert Battery Direction

- The light is ready to turn on using battery power.



LED LIGHTING - WARNING

Before turning on - make sure you are not looking directly at the lamp. LED lights are extremely bright, with potential to cause harm.

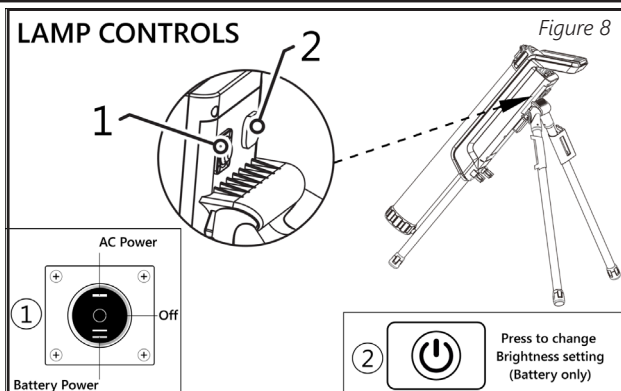


8. OPERATING INSTRUCTIONS



OPERATING TEMPERATURE WARNING

Only operate this LED Work Light within the operating temperature range of 14°F to 104°F (-10°C to 40°C). Using this product outside of the acceptable range may cause permanent damage to the light product and/or the Li-Ion battery, and may cause the risk of hazardous conditions.



OPERATING THE LAMP

POWER MODES

- The BNLB-24360 has a three-position switch that sets the light to turn ON using AC Power, turn ON using Battery power, and turn to the OFF position. (Figure 8)
- The center or middle position of the switch turns the light OFF.

AC POWER

- To use the light on AC/corded power, plug the light into a grounded, 3-prong socket. **Do not alter the grounded plug in any way to use an outlet that it is not intended for.**
- Press the three-position switch to the top of the unit (-) to turn the lamp ON under AC/corded power; move the switch back to the center position to turn the lamp OFF.

BATTERY POWER

Press the three-position power switch toward the bottom of the unit (=) to activate Battery power. Use the Brightness Setting switch to adjust brightness (Figure 8).

- There are four (4) lighting levels programmed into the work light.
- When the light is first turned ON, the brightness level will be at the lowest light level (25%).
- See Power Switch Modes below, which indicate brightness levels.

POWER SWITCH MODES

(From OFF position)

- 1 Click - Light ON at 25% Brightness
- 2 Clicks - Light ON at 50% Brightness
- 3 Clicks - Light ON at 75% Brightness
- 4 Clicks - Light ON at 100% Brightness
- 5 Clicks - Light OFF

NOTE: Using the lamp on AC Power does NOT charge the 24V battery.



9. BASIC MAINTENANCE

CLEANING

- When necessary, wipe the housing of the work light clean with a soft cloth. Do NOT to use solvents such as alcohol, detergents, or petroleum solvents (i.e. gasoline). Cleaning solutions will damage the plastic parts of the light.
- Always protect the light against exposure to moisture, dirt, and the risk of impact damage.

MAINTENANCE AND REPAIR

- The work light product does not contain user-serviceable parts. If repairs are necessary, please contact BN Products-USA™ Customer Service for assistance with repairs or if you believe the product is defective in any way.

10. RECYCLING & DISPOSAL



REMEMBER TO RECYCLE!

This product should not be disposed with household or general waste. When the light kit is old or no longer put to use, please recycle in accordance with your local recycling policies and/or proper disposal practices.

11. TROUBLESHOOTING

The table below includes common user scenarios and solutions while operating the LED Work Light. If you

have a problem with the product that you are unable to resolve, please contact Customer Service for further assistance.



COMMON USER SCENARIOS

Problem	Possible Cause	Recommended Action
<i>Device does not turn ON with Battery connected to the lamp (When using Battery mode)</i>	Battery is not charged adequately	Charge Battery
	Damage to Battery	Inspect battery for signs of damage or moisture; Replace Battery
	Power switch or circuit defective or damaged	Contact Customer Service
	Battery not fully inserted in socket	Install Battery into socket until it "clicks" into place



BN Products-USA™

A DIVISION OF BENNER-NAWMAN, INC.

www.bnproducts.com

OPERATOR MANUAL

CUSTOMER SERVICE:

(800) 992-3833

Problem	Possible Cause	Recommended Action
<i>Battery not charging; Does not charge fully; Rapid discharge of Battery power</i>	Battery not fully inserted into charger	Red LED may be solid and Green LED may be flashing; Remove Battery from Charger and re-insert fully along guides
	Charger Power Cord not connected to live outlet	Ensure power to outlet is live; ensure Charger is plugged in securely
	Contacts dirty on Charger or Battery	Inspect for dirt; If dirty, unplug Charger and remove battery; clean with dry rag or soft brush
	Battery damaged or defective	Replace Battery; Contact Customer Service
	Charger damaged or defective	Replace Charger; Contact Customer Service
	Battery capacity reduced due to age/use	Replace Battery; Contact Customer Service if necessary
<i>Battery discharges rapidly or is "dead" after minimal use after fully charging</i>	Battery life has expired	Replace Battery; Contact Customer Service if necessary

12. ONE-YEAR LIMITED MANUFACTURER WARRANTY

BN Products-USA™ warrants our tools to the original purchaser to be free of defects in materials and workmanship under everyday and appropriate use and service for one year. Use the applicable QR code or web URL below to access our full One-Year Warranty policy and procedure, or to complete a Warranty Service Request for this product.

If you are requesting Warranty Service, it is recommended that you have your original purchase order available to upload or scan using a mobile device. Questions with regard to our One-Year Limited Manufacturer Warranty may be directed to **BN Products-USA™ Customer Service at (800) 992-3833.**

ONE-YEAR LIMITED WARRANTY

<https://www.bnproducts.com/warranty-1/>



REQUEST WARRANTY SERVICE ONLINE

<https://www.bnproducts.com/warranty-request/>





SCAN

