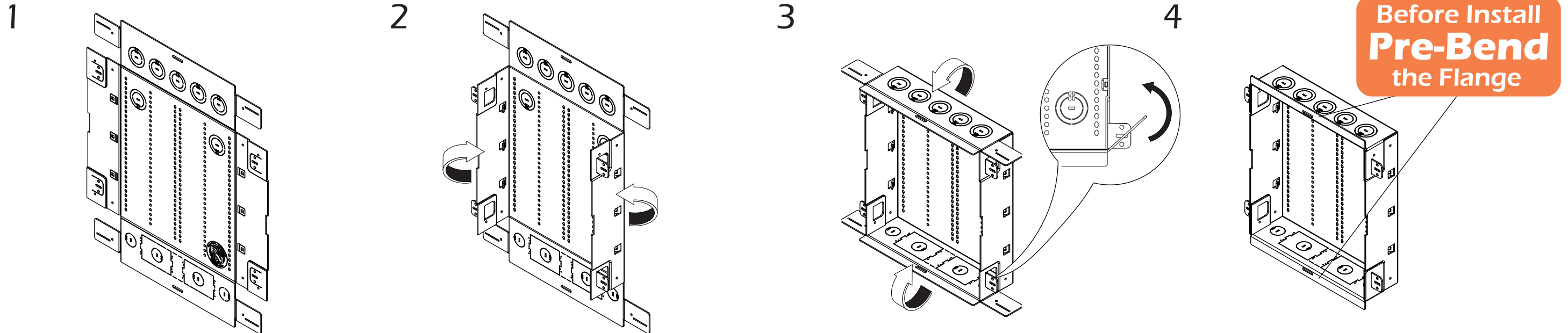
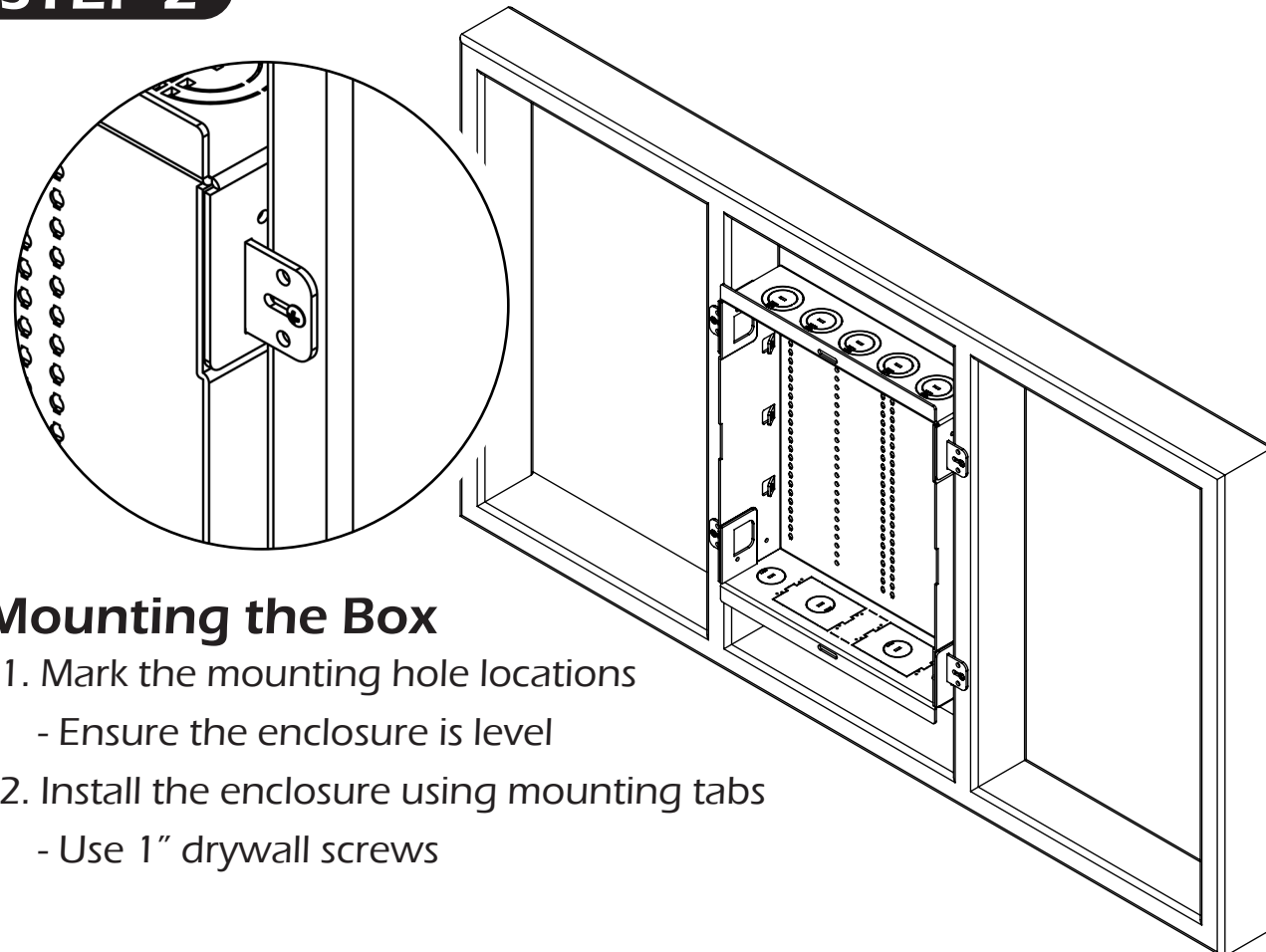


**STEP 1**



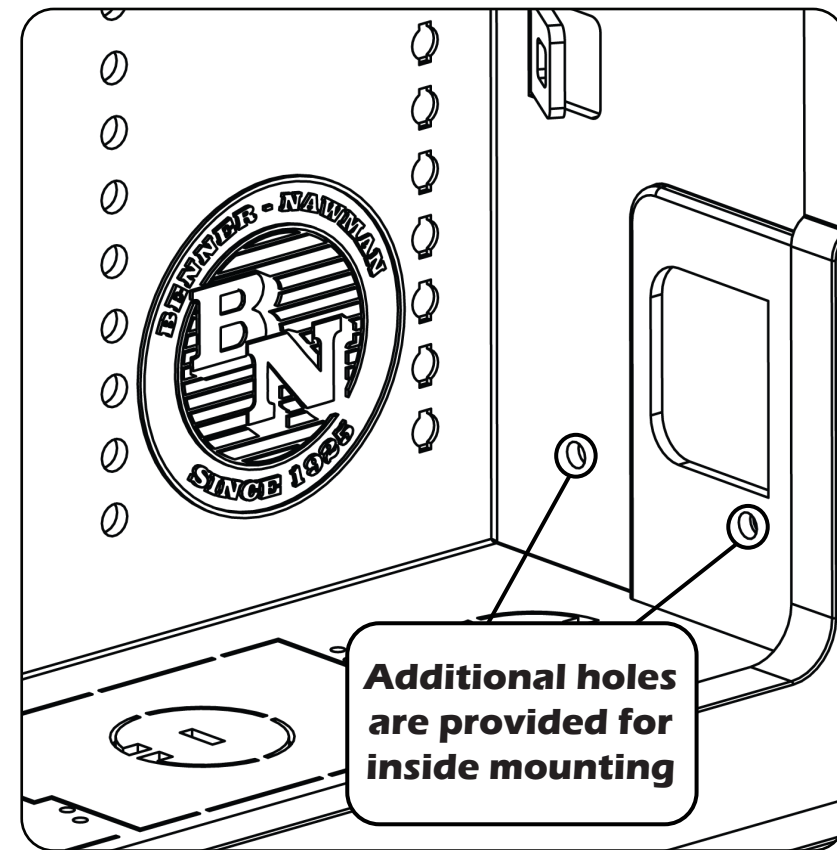
**STEP 2**



**Mounting the Box**

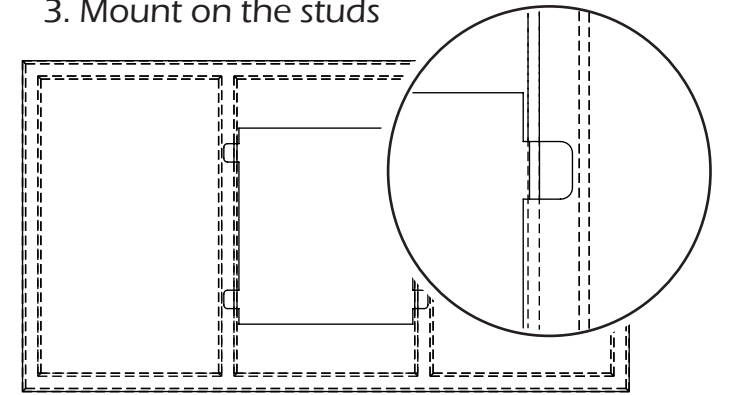
1. Mark the mounting hole locations
  - Ensure the enclosure is level
2. Install the enclosure using mounting tabs
  - Use 1" drywall screws

**ALTERNATIVE MOUNT**



**Retrofit**

- Option #1**
1. Cut drywall approx. 14 3/8" (W) x 16 1/4" (L)
  2. Notch drywall around the mounting tabs
  3. Mount on the studs

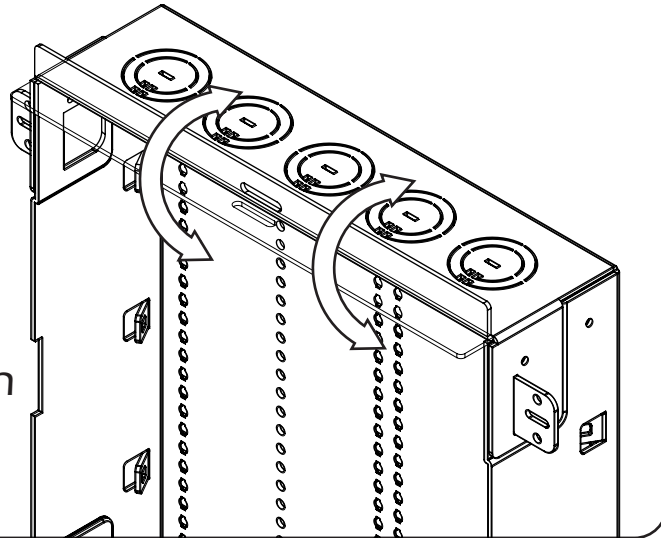


- Option #2**
1. Cut drywall approx. 14 3/8" (W) x 16 1/4" (L)
  2. Mount from inside the stud
  3. Cut off side tabs after inside mounting

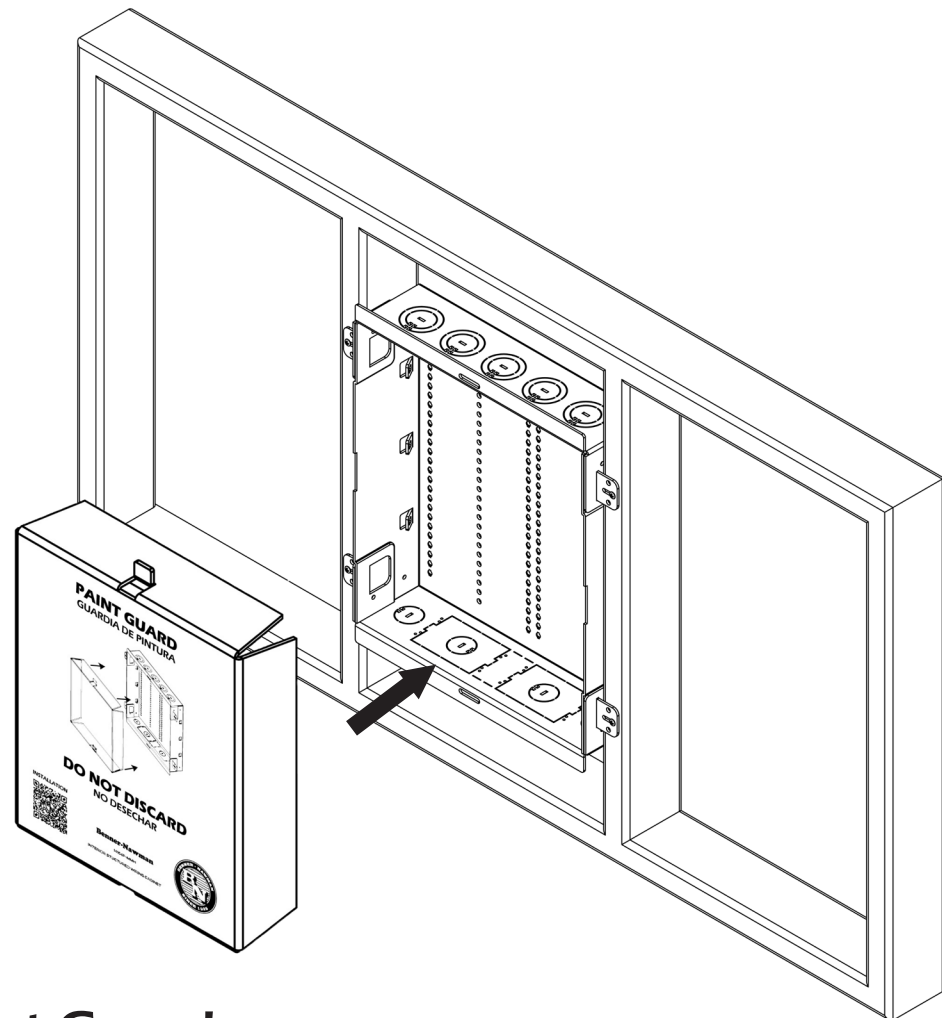
**Before Install  
Pre-Bend  
the Flange**

**What does it mean?**

The top and bottom flanges are designed to reinforce the enclosure. For easier installation, bend them back and forth to loosen before installing.



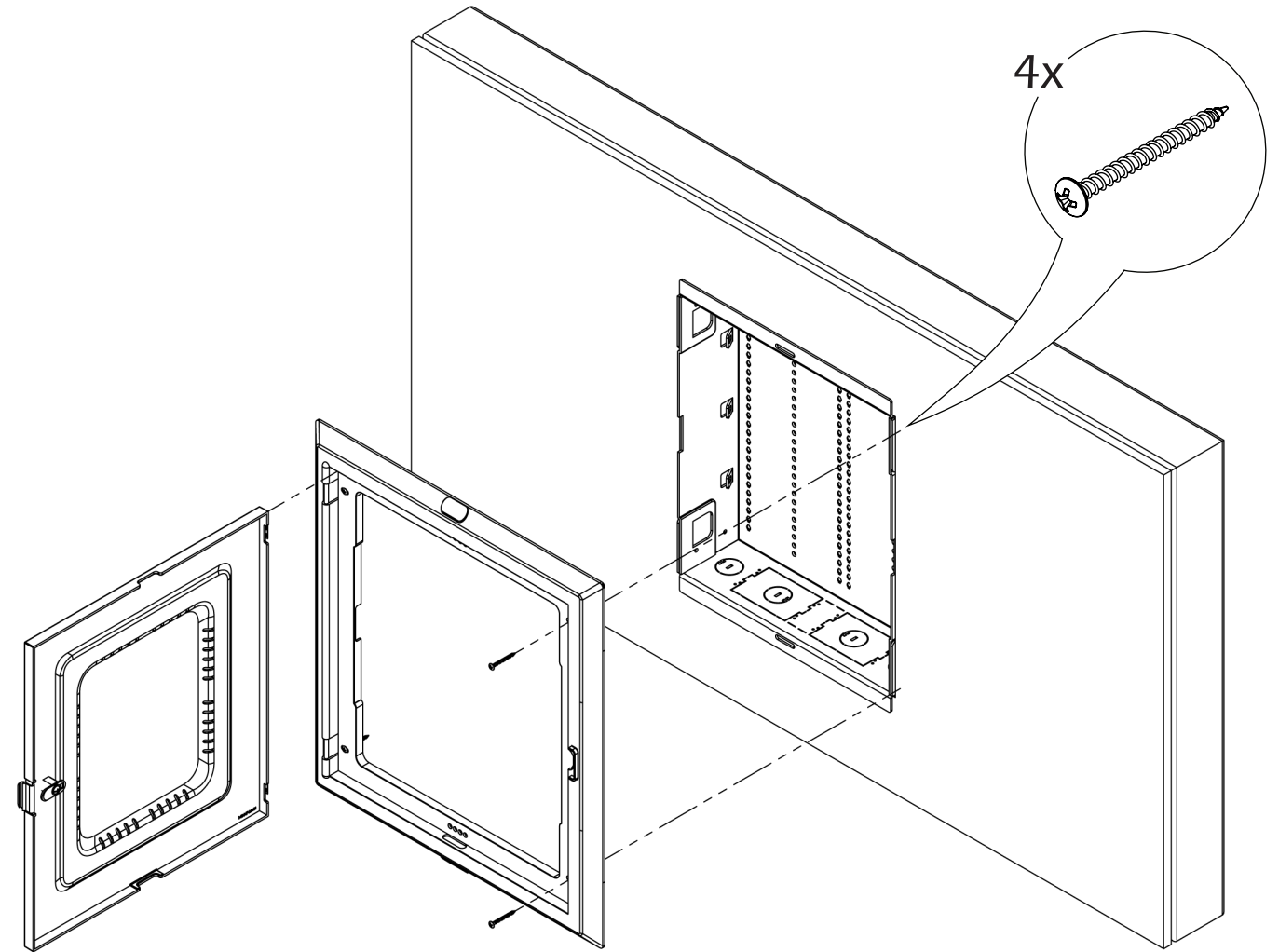
**STEP 3**



**Paint Guard**

1. Fold the paint guard  
- Flip open top & bottom tabs
2. Insert paint guard into the enclosure
3. Proceed to **STEP 4** after drywall, texture, and paint
4. Remove the paint guard after painting is complete

**STEP 4**



**Install Frame First, Door Last**

1. Align frame to the box, so the frame is fully seated inside the enclosure  
- Reversible frame (left/right)
2. Install frame in the studs using the included screws
3. Tighten screws only enough to close the gap between the frame and the drywall  
⚠️ **AVOID OVERTIGHTENING**
4. Attach the door to the frame by aligning the hinges  
Press firmly until they click

**Prefer a video? Scan code to learn more**

Questions? Please call 1(800)992-3833 | [benner-nawman.com](http://benner-nawman.com)

Wickenburg, AZ

